

Fiber Optic Splice Closure

CV021

Description:

CV021 is a fiber optic splice closure that used for optical fiber cable splicing, joint and protection. It is water proof and dust proof and suitable for outdoor aerial hanged, pole mounted, wall mounted, duct, buried application. It is special design, two domes body, easy for installation and maintenance.



Features:

Material: Outside PP+UV closure body, inside ABS splice tray

Sealing structure: Mechanical sealing

IP standard: IP68 waterproof and dust proof

Cable port: 4 cable ports (2 in 2 out) suitable for $\Phi 11\text{mm}$ & $\Phi 18\text{mm}$ cable entry or exit.

Splice tray qty: Max. 4pcs OST-005B-S splice trays, black color,
each tray 12 slots for max. 24 fibers splicing.

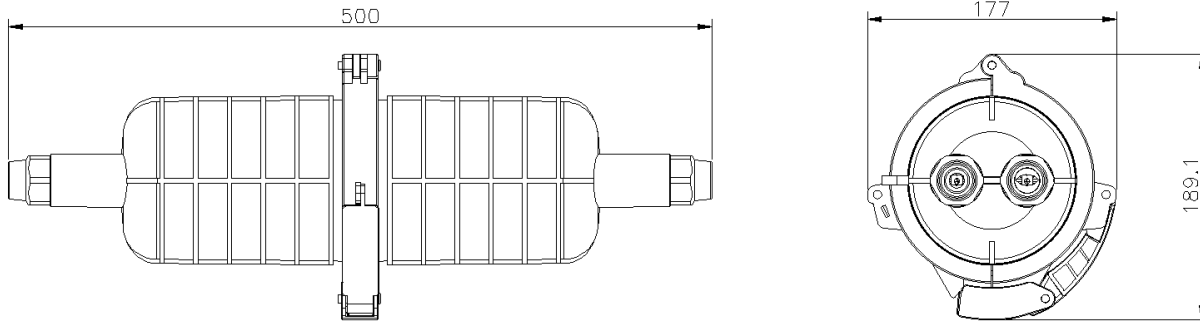
Capacity: Max. 96 fibers

Two domes design, very easy for installation and maintenance.

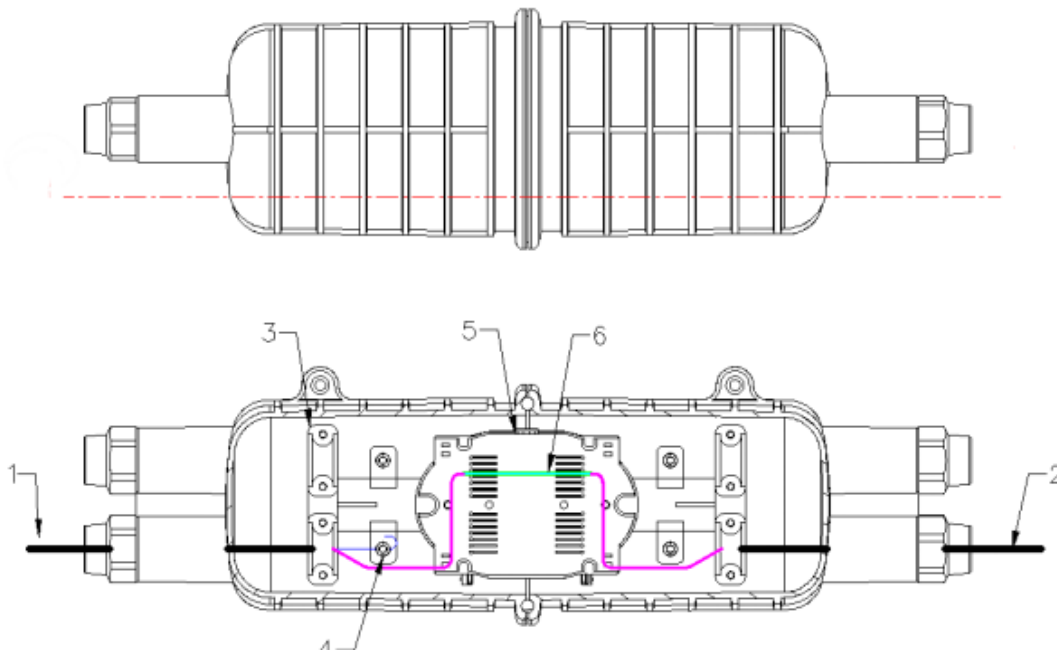
Specification:

Model	Dimension	Material	Splice tray	Max. capacity	Cable port	Structure
CV021	$\Phi 177 \times 500\text{mm}$	PP	4 PCS	96 FO	4 port	Mechanical sealing

Drawings: (mm)



Cable management drawings:



- 1- cable port 2- cable port 3- cable fixing parts
- 4- cable strengthen core fixing parts
- 5- fiber optic splice tray 6- heat protect shrinkable sleeve

Accessories:

Item	Name	Specification	Qty
1	Fiber optic heat protect shrinkable sleeve	Length 60mm	As per using capacity
2	Cable tie	Length 120mm	5 pcs
3	Insulating tape	0.15*17mm*8 code	1 reel

Shenzhen OPTICO Communication Co., Ltd.

4	Aerial hanged accessories	Stainless steel	1 set
---	---------------------------	-----------------	-------



Optional accessories:

Item	Name	Model	Qty	Remark
1	Pole mounted accessories	CV010-76	1 set	Pole mounted application

Images:

